

# ACE

# Manual Stacker

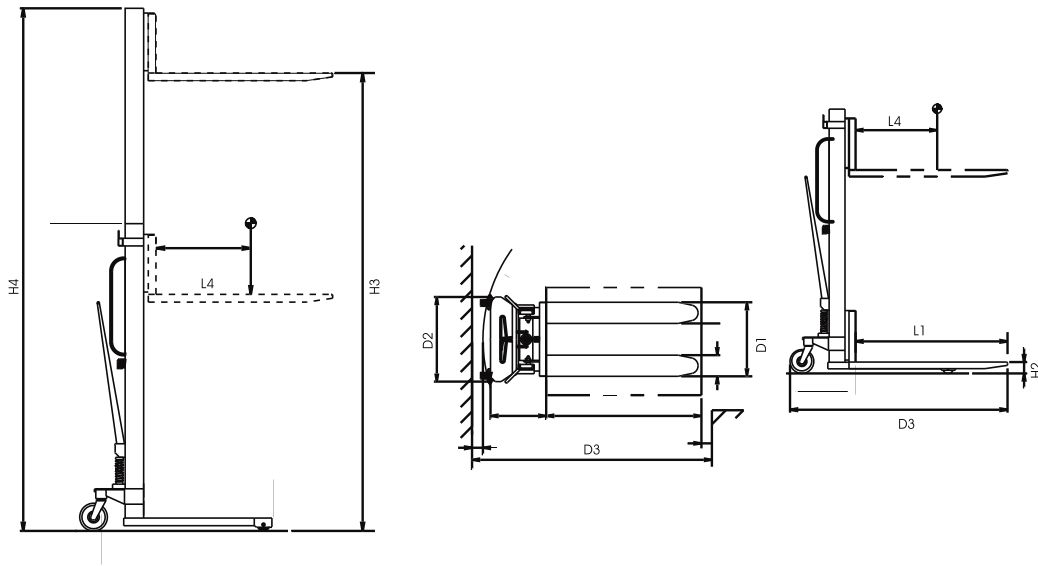
**Capacity : 1 Ton**

High Performance & rugged  
Manual Stacker

**ACE** **INDIA'S NO. 1**  
MOBILE & TOWER CRANE CO.



*Nothing beats an **ACE***



### Technical Specifications

Model	Unit		MS10
Capacity	Kgs	Q	1000
Lift Height	mm	H3	1600
Lowered Fork Height	mm	H2	70
Load Center	mm	L4	500
Overall mast Height	mm	H4	1980
Size of Steering wheel	mm		ϕ180x50
Size of Loading wheel	mm		ϕ 80x60
Fork Outside Distance	mm	D1	200-550
Fork length	mm	L1	1100
Overall Width	mm	D2	760
Overall Length	mm	D3	1550
Wheel Base	mm		1100
Wheel Type (Drive & Load)			Nylon with brake
Service Weight	Kgs		150

### Features :

- Handle with return gas spring.
- Brake, Protection wheel cap & Protection net for safety.
- High Strength reliable Mast.
- Ergonomic design hydraulic foot pump to help raise loads and easy hand lowering control.
- Strong Supporting legs.
- Easy to Operate.



### MARKETING H.Q.

### Action Construction Equipment Ltd.

4th Floor, Pinnacle, Surajkund, NCR-121009

Ph. : +91-129-4550000, Fax : +91-129-4550022

E-mail: marketing@ace-cranes.com, forklifts@ace-cranes.com

